



LED Street Light

A Spec

- Aluminum Latch system,Free Tooling
- High Efficiency Performance Aluminum Reflector(95.8%),in IP66
- Heat-resistant Nylon materials with stainless steel clips
- Safety mechanism against accidental closing
- Silicone Gasket,IP66

Applications

- Roadway lighting
(Urban roads, residential areas, overpasses···)
- Public areas lighting
(Theme parks, squares, parking lots···)



Specifications



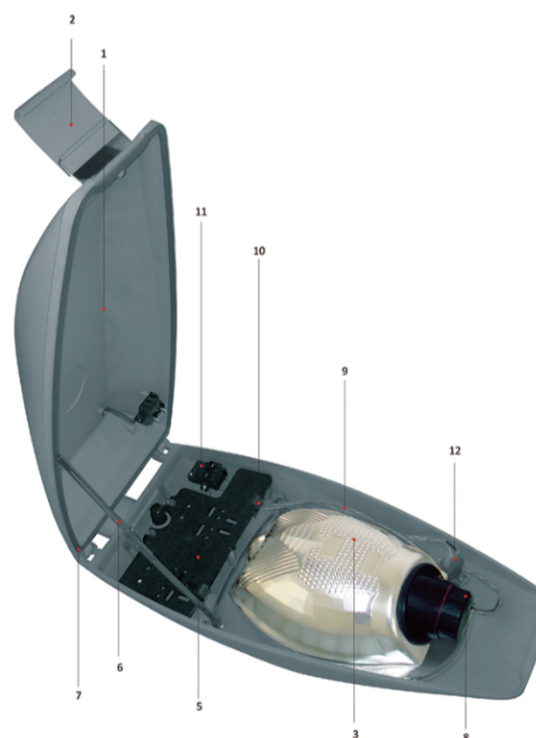
Spirit Level Function system to ensure lighting Horizontal Level, reduce lighting pollution



Suited to accommodate photocell



Lalt or Curved tempered Glass(5mm thickness,IK 09)

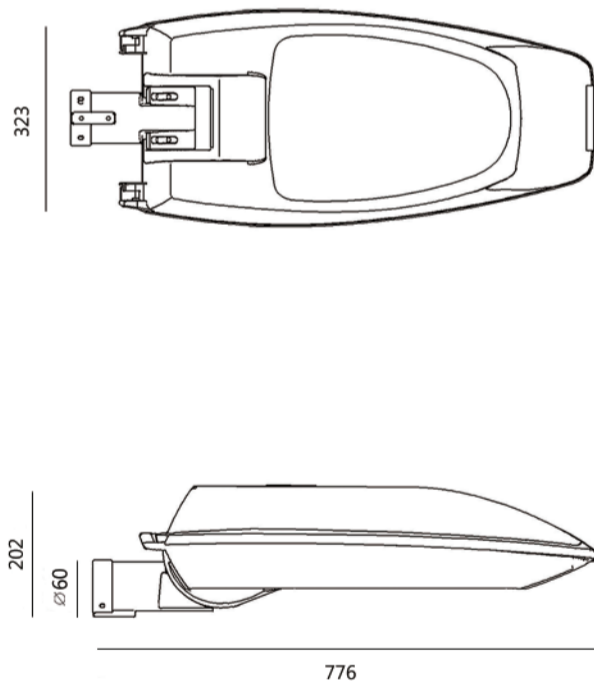


Technical Data

Optical Specifications

Size:	776X323X202mm
Lamp:	MH/HPS 70W-100W/150W-250W-400W
Body:	High pressure die casting aluminum,sirit level function applied at casing-self to reduce lighting pollution
Optical unit:	High efficiency performance aluminum reflector,in IP66
Glass:	Curved or Flat tempered glass,IK09
Connection(spigot) to column:	60mm;0-30 dregee adjustable system
Finishing:	Standard color(RAL 7035,7042),other colors upon request
Protection Index:	IP66 G.O./ IP66
Impact Resistance:	Ik 09
Electrical Class:	Class II
Closing:	Extrusion Aluminum

MEGATERRA



Photometrics

